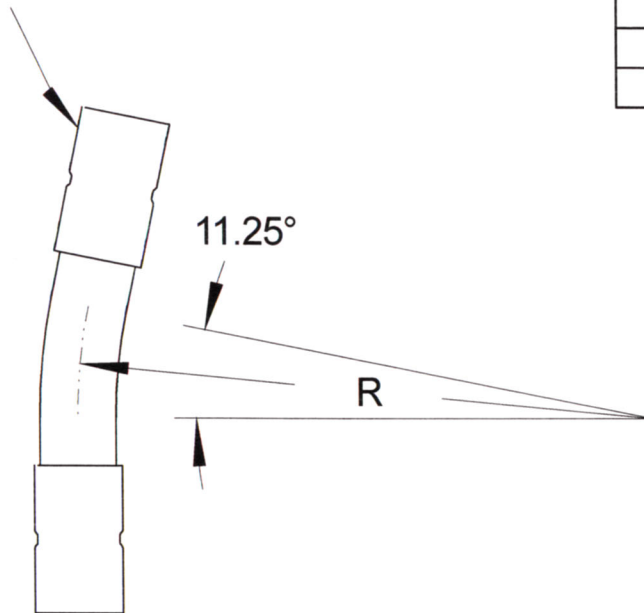


SIZE	DIAMETER "D"	RADIUS "R"	WALL THICKNES	PART NUMBER	WEIGHT (LBS.)
1/2"	.84"	60"	.070"	FGSW-051160	0.4952
3/4"	1.05"	60"	.070"	FGSW-0751160	0.5326
1"	1.315"	60"	.070"	FGSW-11160	0.645
1 1/4"	1.66"	60"	.070"	FGSW-1251160	0.9176
1 1/2"	1.9"	60"	.070"	FGSW-1501160	1.276
2"	2.375"	60"	.070"	FGSW-21160	1.68
2 1/2"	2.875"	60"	.070"	FGSW-2501160	2.3717
3"	3.5	60"	.070"	FGSW-31160	4.053
4"	4.5"	60"	.070"	FGSW-41160	6.05
5"	5.563"	60"	.070"	FGSW-51160	8.674
6"	6.625"	60"	.070"	FGSW-61160	12.439
8"	8.625"	60"	.096"	FGSW-81160	20.073

DEEP SOCKET S/40 PVC COUPLING



**RACEWAYS TECHNOLOGY
& MFG., INC.**

TACOMA, WA

11.25 DEGREE FIBERGLASS ELBOW/60' RADIUS
(STANDARD WALL)

NO SCALE

RTP

2012

DEEP SOCKET S/40 PVC COUPLINGS CONFORM TO UL 651 SPECIFICATIONS