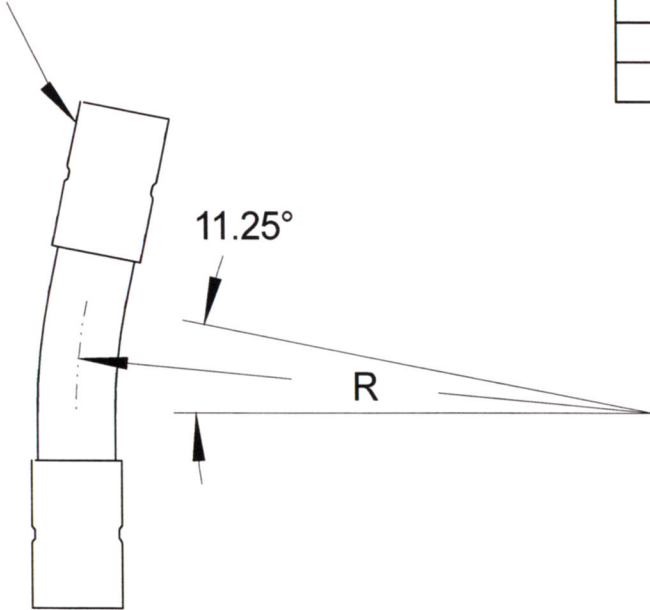


| SIZE | DIAMETER "D" | RADIUS "R" | WALL THICKNES | PART NUMBER | WEIGHT (LBS.) |
|--------|-----------------|---------------|------------------|--------------|------------------|
| 1/2" | .84" | 72" | .070" | FGSW-051172 | 0.552 |
| 3/4" | 1.05" | 72" | .070" | FGSW-0751172 | 0.589 |
| 1" | 1.315" | 72" | .070" | FGSW-11172 | 0.7082 |
| 1 1/4" | 1.66" | 72" | .070" | FGSW-1251172 | 0.9944 |
| 1 1/2" | 1.9" | 72" | .070" | FGSW-1501172 | 1.386 |
| 2" | 2.375" | 72" | .070" | FGSW-21172 | 1.807 |
| 2 1/2" | 2.875" | 72" | .070" | FGSW-2501172 | 2.563 |
| 3" | 3.5 | 72" | .070" | FGSW-31172 | 4.453 |
| 4" | 4.5" | 72" | .070" | FGSW-41172 | 6.53 |
| 5" | 5.563" | 72" | .070" | FGSW-51172 | 9.424 |
| 6" | 6.625" | 72" | .070" | FGSW-61172 | 13.272 |
| 8" | 8.625" | 72" | .096" | FGSW-81172 | 21.756 |

DEEP SOCKET S/40 PVC COUPLING



**RACEWAYS TECHNOLOGY
& MFG., INC.**

TACOMA, WA

11.25 DEGREE FIBERGLASS ELBOW 72' RADIUS
(STANDARD WALL)

NO SCALE

RTP

2012

DEEP SOCKET S/40 PVC COUPLINGS CONFORM TO UL 651 SPECIFICATIONS