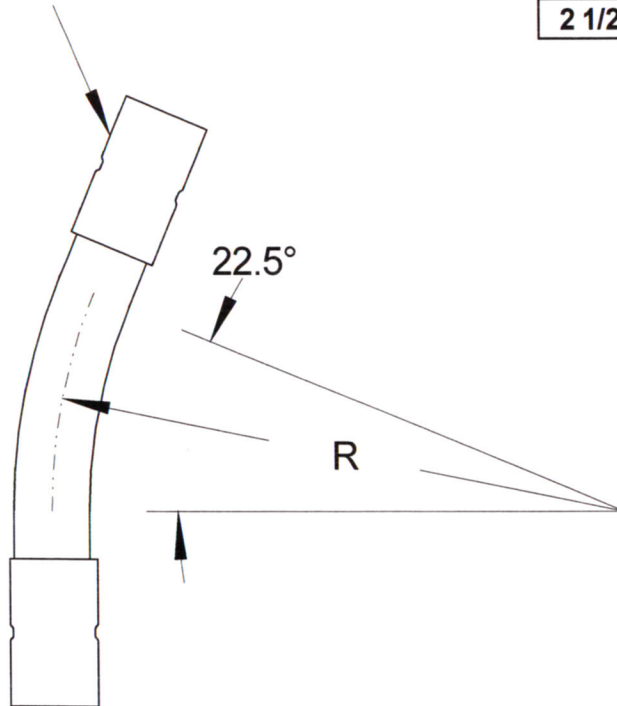


SIZE	DIAMETER "D"	RADIUS "R"	WALL THICKNES	PART NUMBER	WEIGHT (LBS.)
1/2"	.84"	12"	.070"	FGSW-052212	0.353
3/4"	1.05"	12"	.070"	FGSW-0752212	0.419
1"	1.315"	12"	.070"	FGSW-12212	0.487
1 1/4"	1.66"	12"	.070"	FGSW-1252212	0.7256
1 1/2"	1.9"	12"	.070"	FGSW-1502212	1.001
2"	2.375"	12"	.070"	FGSW-22212	1.363
2 1/2"	2.875"	12"	.070"	FGSW-2502212	2.027

DEEP SOCKET S/40 PVC COUPLING



**RACEWAYS TECHNOLOGY
& MFG., INC.**

TACOMA, WA

22.5 DEGREE FIBERGLASS ELBOW 12" RADIUS
(STANDARD WALL)

NO SCALE

RTP

2012

DEEP SOCKET PVC COUPLINGS CONFORM TO UL 651 SPECIFICATIONS