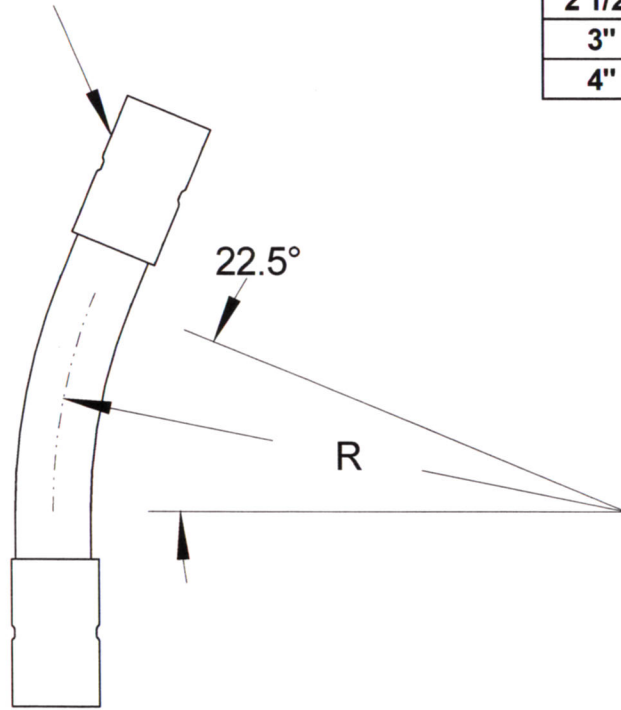


DEEP SOCKET S/40 PVC COUPLING



SIZE	DIAMETER "D"	RADIUS "R"	WALL THICKNES	PART NUMBER	WEIGHT (LBS.)
1/2"	.84"	18"	.070"	FGSW-052218	0.353
3/4"	1.05"	18"	.070"	FGSW-0752218	0.3906
1"	1.315"	18"	.070"	FGSW-12218	0.487
1 1/4"	1.66"	18"	.070"	FGSW-1252218	0.7256
1 1/2"	1.9"	18"	.070"	FGSW-1502218	1.001
2"	2.375"	18"	.070"	FGSW-22218	1.363
2 1/2"	2.875"	18"	.070"	FGSW-2502218	1.9504
3"	3.5	18"	.070"	FGSW-32218	3.903
4"	4.5"	18"	.070"	FGSW-42218	5.81

**RACEWAYS TECHNOLOGY
& MFG., INC.**

TACOMA, WA

22.5 DEGREE FIBERGLASS ELBOW 18" RADIUS
(STANDARD WALL)

DEEP SOCKET PVC COUPLINGS CONFORM TO UL 651 SPECIFICATIONS

NO SCALE

RTP

2012