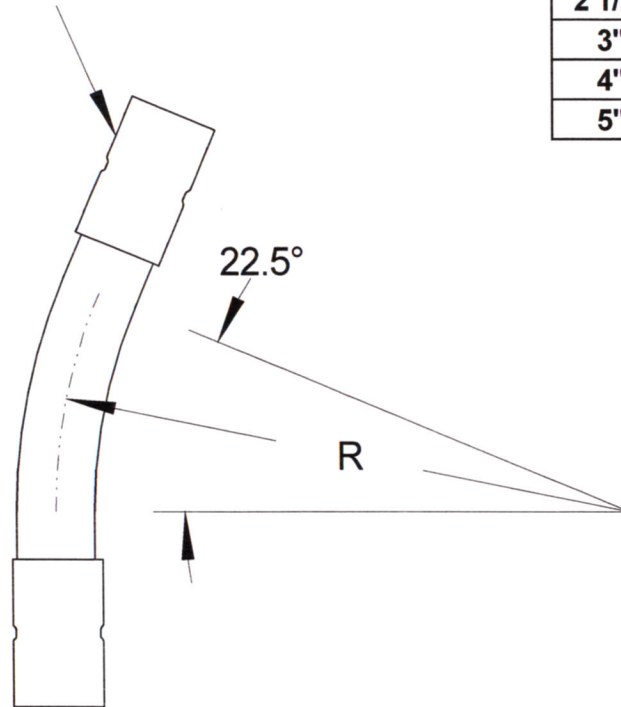


DEEP SOCKET S/40 PVC COUPLING



SIZE	DIAMETER "D"	RADIUS "R"	WALL THICKNES	PART NUMBER	WEIGHT (LBS.)
1/2"	.84"	24"	.070"	FGSW-052224	0.3958
3/4"	1.05"	24"	.070"	FGSW-0752224	0.4332
1"	1.315"	24"	.070"	FGSW-12224	0.5344
1 1/4"	1.66"	24"	.070"	FGSW-1252224	0.7832
1 1/2"	1.9"	24"	.070"	FGSW-1502224	1.0835
2"	2.375"	24"	.070"	FGSW-22224	1.4587
2 1/2"	2.875"	24"	.070"	FGSW-2502224	2.1419
3"	3.5	24"	.070"	FGSW-32224	4.003
4"	4.5"	24"	.070"	FGSW-42224	5.93
5"	5.563"	24"	.070"	FGSW-52224	8.899

**RACEWAYS TECHNOLOGY
& MFG., INC.**

TACOMA, WA

22.5 DEGREE FIBERGLASS ELBOW 24" RADIUS
(STANDARD WALL)

DEEP SOCKET PVC COUPLINGS CONFORM TO UL 651 SPECIFICATIONS

NO SCALE

RTP

2012