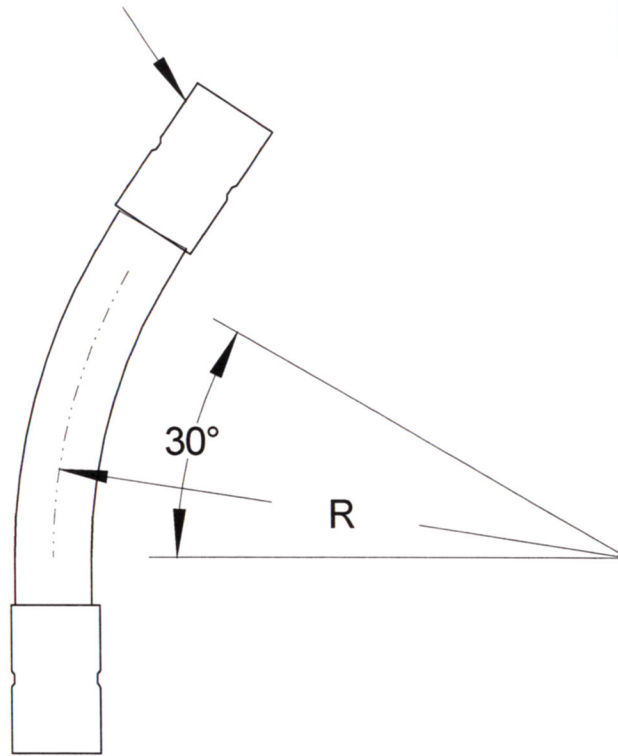


SIZE	DIAMETER "D"	RADIUS "R"	WALL THICKNES	PART NUMBER	WEIGHT (LBS.)
1/2"	.84"	18"	.070"	FGSW-053018	0.3989
3/4"	1.05"	18"	.070"	FGSW-0753018	0.4616
1"	1.315"	18"	.070"	FGSW-13018	0.566
1 1/4"	1.66"	18"	.070"	FGSW-1253018	0.8216
1 1/2"	1.9"	18"	.070"	FGSW-1503018	1.1385
2"	2.375"	18"	.070"	FGSW-23018	1.5221
2 1/2"	2.875"	18"	.070"	FGSW-2503018	2.1802
3"	3.5	18"	.070"	FGSW-33018	3.853
4"	4.5"	18"	.070"	FGSW-43018	5.69

DEEP SOCKET S/40 PVC COUPLING



**RACEWAYS TECHNOLOGY  
& MFG., INC.**

TACOMA, WA

30 DEGREE FIBERGLASS ELBOW 18" RADIUS  
(STANDARD WALL)

NO SCALE

RTP

2012

DEEP SOCKET S/40 PVC COUPLINGS CONFORM TO UL 651 SPECIFICATIONS