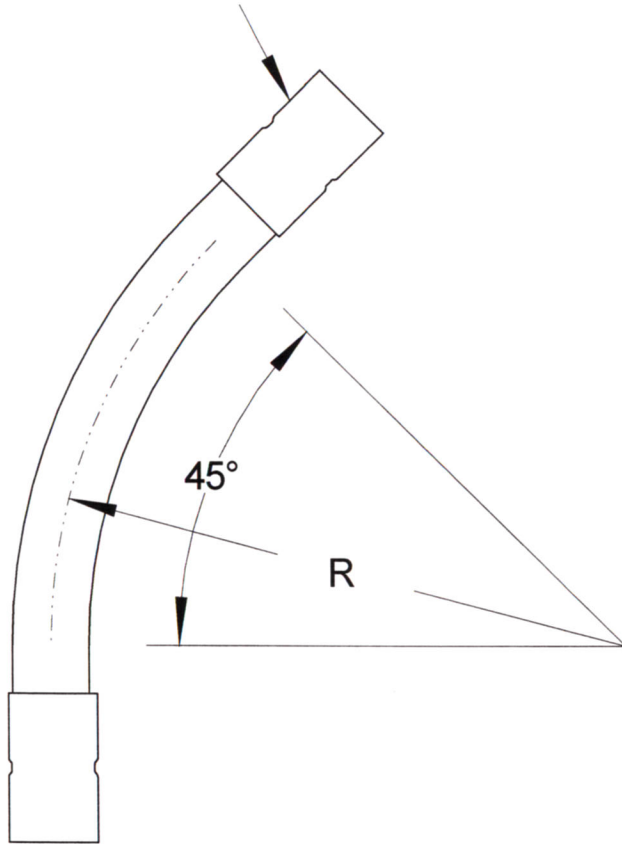


DEEP SOCKET S/40 PVC COUPLING



SIZE	DIAMETER "D"	RADIUS "R"	WALL THICKNES	PART NUMBER	WEIGHT (LBS.)
1/2"	.84"	48"	.070"	FGSW-054548	0.8705
3/4"	1.05"	48"	.070"	FGSW-0754548	0.9728
1"	1.315"	48"	.070"	FGSW-14548	1.1348
1 1/4"	1.66"	48"	.070"	FGSW-1254548	1.5128
1 1/2"	1.9"	48"	.070"	FGSW-1504548	2.1285
2"	2.375"	48"	.070"	FGSW-24548	2.6633
2 1/2"	2.875"	48"	.070"	FGSW-2504548	3.5207
3"	3.5"	48"	.070"	FGSW-34548	5.503
4"	4.5"	48"	.070"	FGSW-44548	7.67
5"	5.563"	48"	.070"	FGSW-54548	10.699
6"	6.625"	48"	.070"	FGSW-64548	14.688
8"	8.625"	48"	.096"	FGSW-84548	26.132

**RACEWAYS TECHNOLOGY  
& MFG., INC.**

TACOMA, WA

45 DEGREE FIBERGLASS ELBOW 48" RADIUS  
(STANDARD WALL)

DEEP SOCKET S/40 PVC COUPLINGS CONFORM TO UL 651 SPECIFICATIONS

NO SCALE

RTP

2012