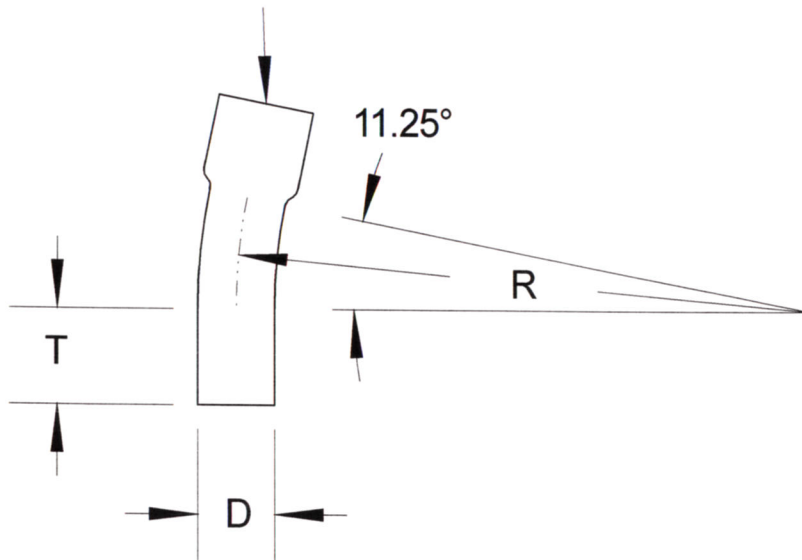


SIZE	DIAMETER "D"	RADIUS "R"	TANGENT "T" (MIN.)	PART NUMBER	WEIGHT (LBS.)
1"	1.315"	24"	1.875"	DB-11124	0.135
1 1/2"	1.9"	24"	2"	DB-1501124	0.21
2"	2.375"	24"	2"	DB-2501124	0.323
3"	3.5	24"	3.125"	DB-31124	0.792
4"	4.5"	24"	3.375"	DB-41124	1.3
5"	5.563"	24"	3.625"	DB-51124	2.622

INTEGRAL COUPLING



**RACEWAYS TECHNOLOGY  
& MFG., INC.**  
TACOMA, WA

11.25 DEGREE DB120 PVC ELBOW 24" RADIUS

NO SCALE

RTP

2012