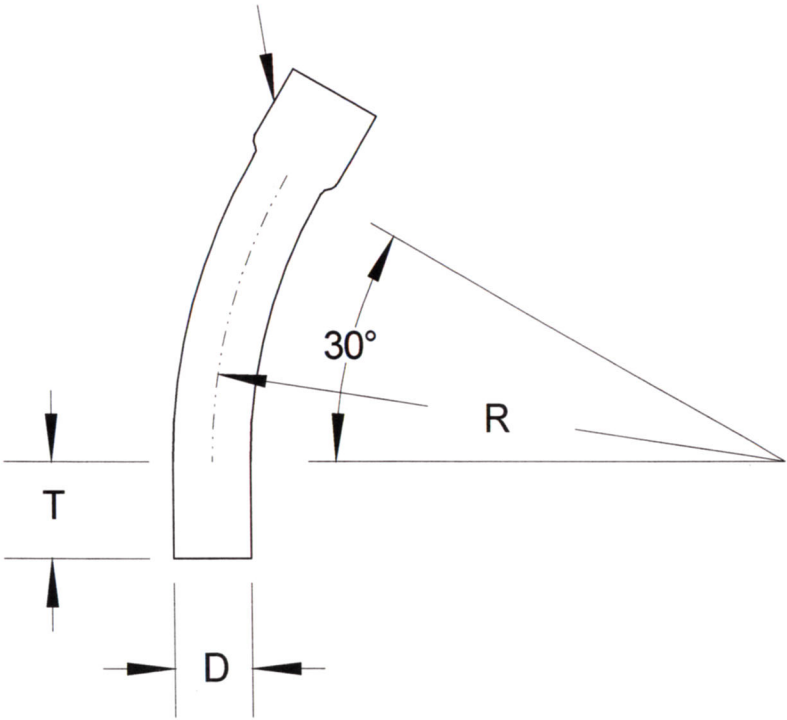


| SIZE | DIAMETER "D" | RADIUS "R" | TANGENT "T" (MIN.) | PART NUMBER | WEIGHT (LBS.) |
|--------|-----------------|---------------|-----------------------|-------------|------------------|
| 1" | 1.315" | 12" | 1.875" | DB-13012 | 0.105 |
| 1 1/2" | 1.9" | 12" | 2" | DB-1503012 | 0.184 |
| 2" | 2.375" | 12" | 2" | DB-23012 | 0.351 |

INTEGRAL COUPLING



| | | |
|---|-----|------|
| RACEWAYS TECHNOLOGY & MFG., INC. TACOMA, WA | | |
| 30 DEGREE DB120 PVC ELBOW 12" RADIUS | | |
| NO SCALE | RTP | 2012 |