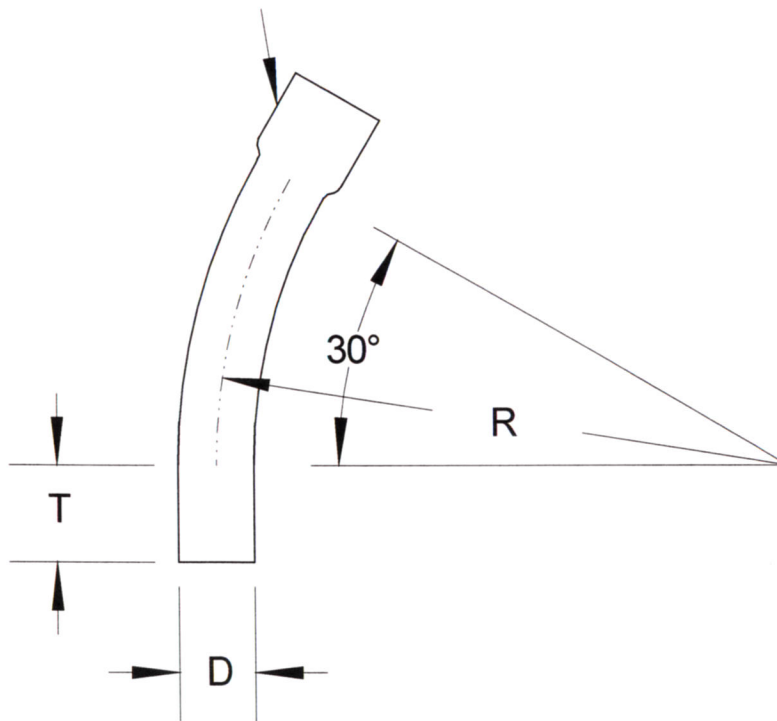


SIZE	DIAMETER "D"	RADIUS "R"	TANGENT "T" (MIN.)	PART NUMBER	WEIGHT (LBS.)
1"	1.315"	24"	1.875"	DB-13024	0.285
1 1/2"	1.9"	24"	2"	DB-1503024	0.437
2"	2.375"	24"	2"	DB-23024	0.684
3"	3.5	24"	3.125"	DB-33024	1.56
4"	4.5"	24"	3.375"	DB-43024	2.86
5"	5.563"	24"	3.625"	DB-530STD	3.989

INTEGRAL COUPLING



**RACEWAYS TECHNOLOGY
& MFG., INC.**

TACOMA, WA

30 DEGREE DB120 PVC ELBOW 24" RADIUS

NO SCALE

RTP

2012