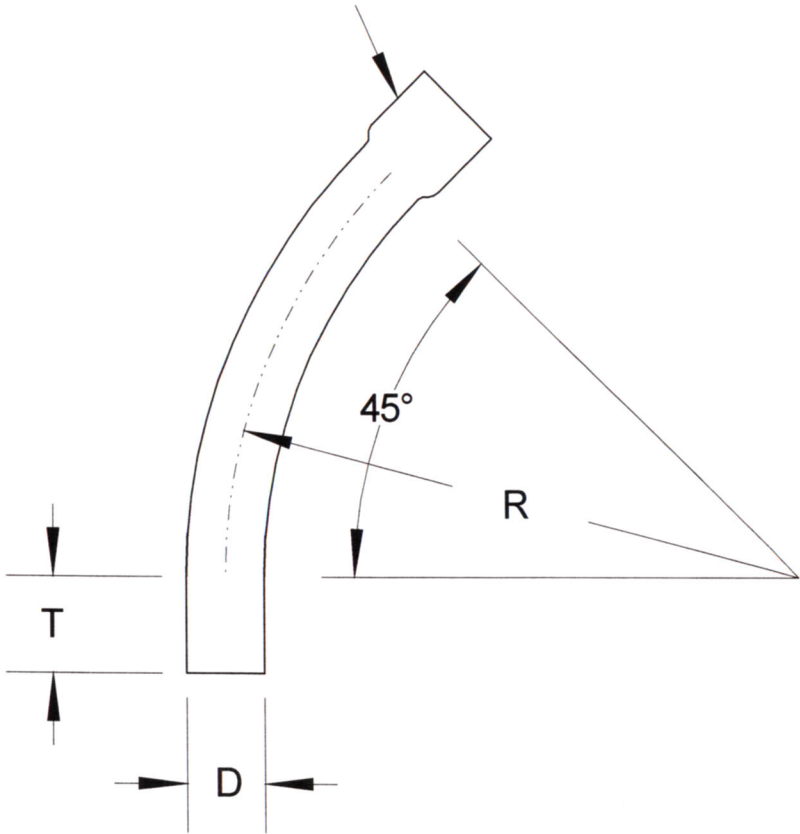


SIZE	DIAMETER "D"	RADIUS "R"	TANGENT "T" (MIN.)	PART NUMBER	WEIGHT (LBS.)
1"	1.315"	18"	1.875"	DB-14518	0.296
1 1/2"	1.9"	18"	2"	DB-1504518	0.461
2"	2.375"	18"	2"	DB-24518	0.708
3"	3.5	18"	3.125"	DB-34518	1.425
4"	4.5"	18"	3.375"	DB-44518	2.568

INTEGRAL COUPLING



**RACEWAYS TECHNOLOGY  
& MFG., INC.**  
TACOMA, WA

45 DEGREE DB120 PVC ELBOW 18" RADIUS

NO SCALE	RTP	2012
----------	-----	------