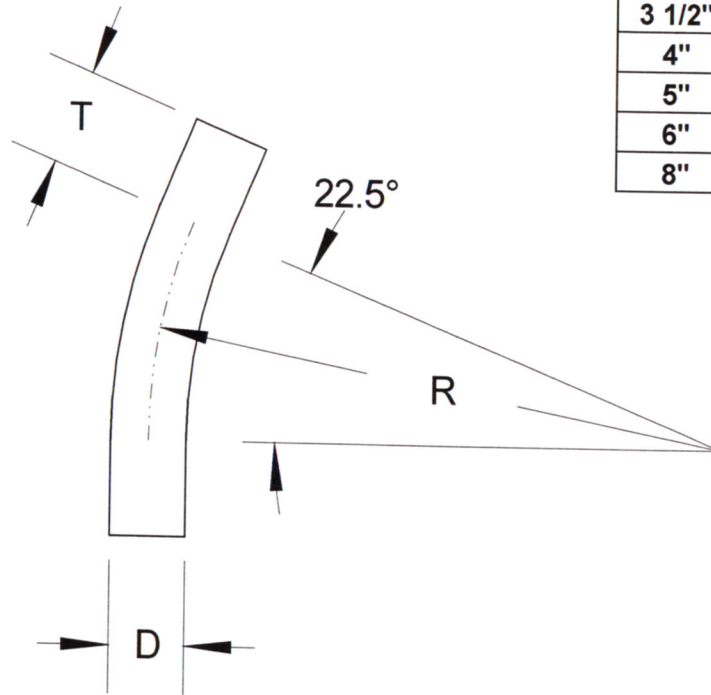


ALL S/40 CONDUIT ELBOWS AND SWEEPS MANUFACTURED BY RACEWAYS TECHNOLOGY ARE MADE FROM ETL OR UL LISTED PVC PIPE TO UL 651 SPECIFICATIONS.

SIZE	DIAMETER "D"	RADIUS "R"	TANGENT "T" (MIN.)	PART NUMBER	WEIGHT (LBS.)
1/2"	.84"	72"	1.5"	S40-052272	0.464
3/4"	1.05"	72"	1.5"	S40-0752272	0.643
1"	1.315"	72"	1.875"	S40-12272	0.965
1 1/4"	1.66"	72"	2"	S40-1252272	1.358
1 1/2"	1.9"	72"	2"	S40-1502272	1.644
2"	2.375"	72"	2"	S40-22272	2.18
2 1/2"	2.875"	72"	3"	S40-2502272	3.467
3"	3.5	72"	3.125"	S40-32272	4.933
3 1/2"	4"	72"	3.25"	S40-3502272	5.934
4"	4.5"	72"	3.375"	S40-42272	7.042
5"	5.563"	72"	3.625"	S40-52272	10.813
6"	6.625"	72"	3.75"	S40-62272	14.006
8"	8.625"	72"	6.625"	S40-82272	22.95



INTEGRAL COUPLINGS AVAILABLE ON REQUEST  
INTEGRAL COUPLINGS CONFORM TO UL 651 SPECIFICATIONS

**RACEWAYS TECHNOLOGY  
& MFG., INC.**  
TACOMA, WA

22.5 DEGREE S/40 PVC ELBOW 72" RADIUS

NO SCALE      RTP      2012