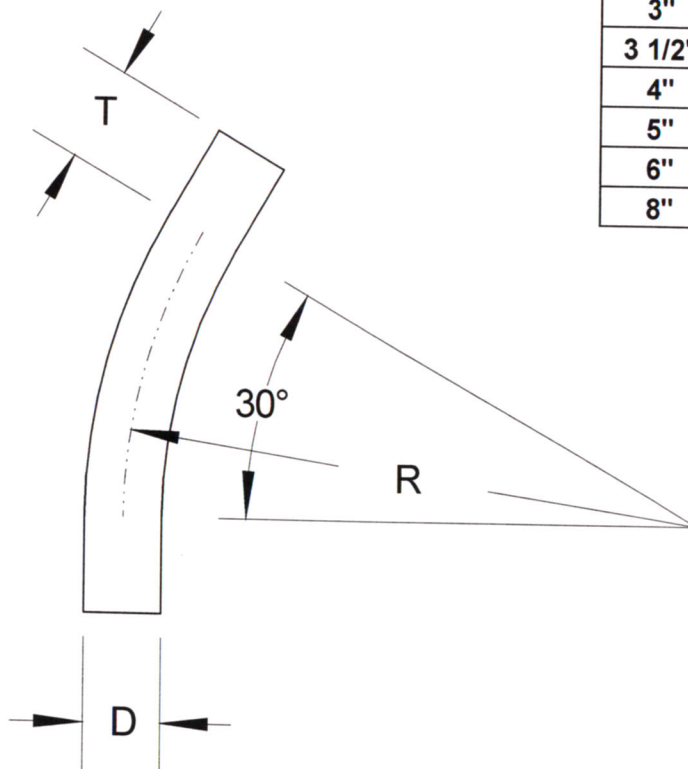


ALL S/40 CONDUIT ELBOWS AND SWEEPS MANUFACTURED BY RACEWAYS TECHNOLOGY ARE MADE FROM ETL OR UL LISTED PVC PIPE TO UL 651 SPECIFICATIONS.

SIZE	DIAMETER "D"	RADIUS "R"	TANGENT "T" (MIN.)	PART NUMBER	WEIGHT (LBS.)
1/2"	.84"	72"	1.5"	S40-053072	0.52
3/4"	1.05"	72"	1.5"	S40-0753072	0.72
1"	1.315"	72"	1.875"	S40-13072	1.08
1 1/4"	1.66"	72"	2"	S40-1253072	1.52
1 1/2"	1.9"	72"	2"	S40-1503072	1.84
2"	2.375"	72"	2"	S40-23072	2.44
2 1/2"	2.875"	72"	3"	S40-2503072	4.171
3"	3.5	72"	3.125"	S40-33072	6.072
3 1/2"	4"	72"	3.25"	S40-3503072	7.47
4"	4.5"	72"	3.375"	S40-43072	9.062
5"	5.563"	72"	3.625"	S40-53072	12.816
6"	6.625"	72"	3.75"	S40-63072	17.292
8"	8.625"	72"	6.625"	S40-83072	24.786



INTEGRAL COUPLINGS AVAILABLE ON REQUEST
INTEGRAL COUPLINGS CONFORM TO UL 651 SPECIFICATIONS

RACEWAYS TECHNOLOGY
& MFG., INC.
TACOMA, WA

30 DEGREE S/40 PVC ELBOW 72" RADIUS

NO SCALE

RTP

2012