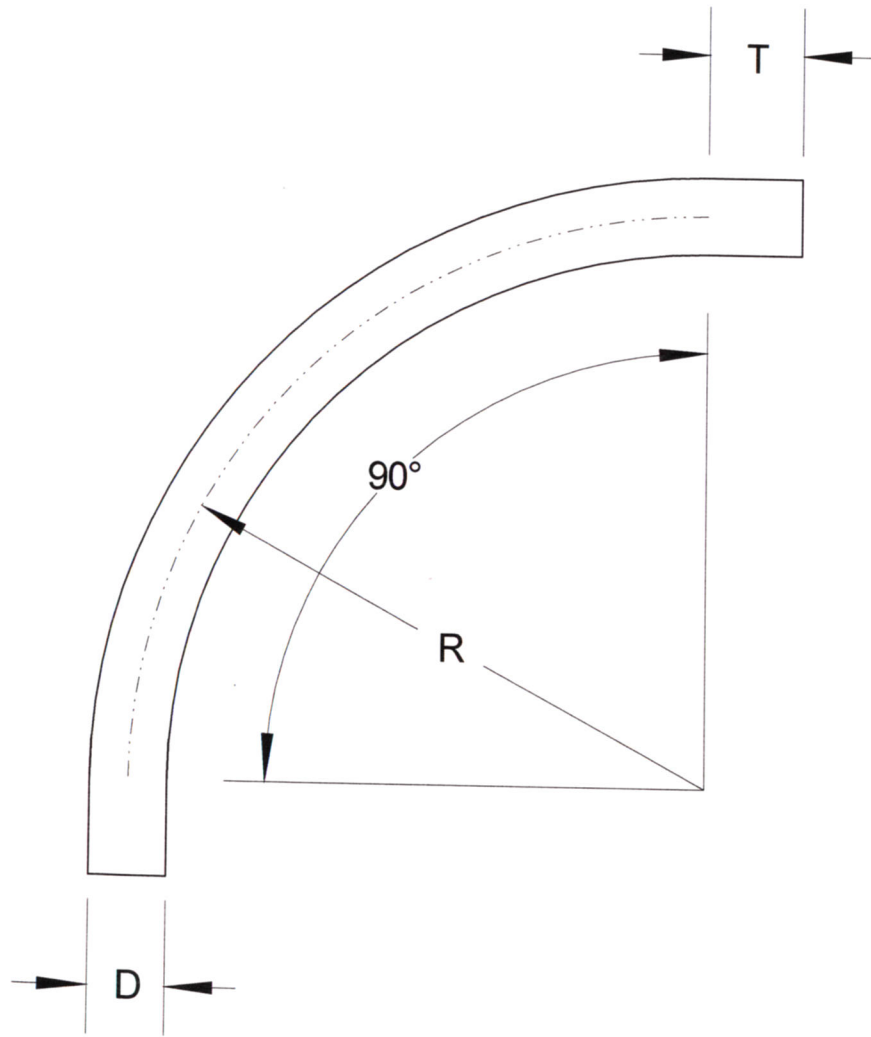


ALL S/40 CONDUIT ELBOWS AND SWEEPS MANUFACTURED BY RACEWAYS TECHNOLOGY ARE MADE FROM ETL OR UL LISTED PVC PIPE TO UL 651 SPECIFICATIONS.

SIZE	DIAMETER "D"	RADIUS "R"	TANGENT "T" (MIN)	PART NUMBER	WEIGHT (LBS.)
1/2"	.84"	60"	1.5"	S40-059060	1.267
3/4"	1.05"	60"	1.5"	S40-0759060	1.671
1"	1.315"	60"	1.875"	S40-19060	2.56
1 1/4"	1.66"	60"	2"	S40-1259060	3.699
1 1/2"	1.9"	60"	2"	S40-1509060	4.446
2"	2.375"	60"	2"	S40-29060	5.962
2 1/2"	2.875"	60"	3"	S40-2509060	9.667
3"	3.5"	60"	3.125"	S40-39060	13.833
3 1/2"	4"	60"	3.25"	S40-3509060	16.583
4"	4.5"	60"	3.375"	S40-49060	17.651
5"	5.563"	60"	3.625"	S40-59060	27.733
6"	6.625"	60"	3.75"	S40-69060	38.042
8"	8.625"	60"	6.625"	S40-89060	52.342



INTEGRAL COUPLINGS AVAILABLE ON REQUEST
 INTEGRAL COUPLINGS CONFORM TO UL 651 SPECIFICATIONS

RACEWAYS TECHNOLOGY
& MFG., INC.
 TACOMA, WA

90 DEGREE S/40 PVC ELBOW 60" RADIUS

NO SCALE

RTP

2012