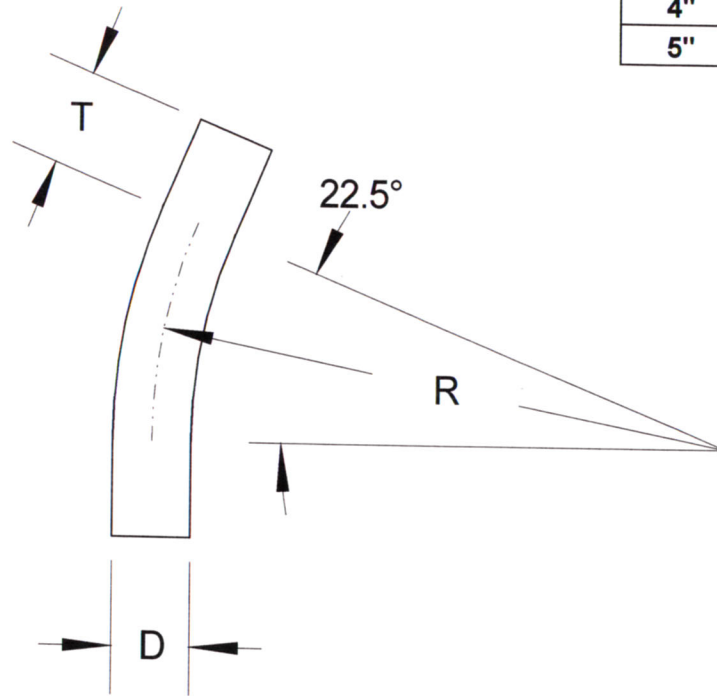


SIZE	DIAMETER "D"	RADIUS "R"	TANGENT "T" (MIN.)	PART NUMBER	WEIGHT (LBS.)
1/2"	.84"	24"	1.5"	S40W-052224	0.209
3/4"	1.05"	24"	1.5"	S40W-0752224	0.27
1"	1.315"	24"	1.875"	S40W-12224	0.406
1 1/4"	1.66"	24"	2"	S40W-1252224	0.541
1 1/2"	1.9"	24"	2"	S40W-1502224	0.637
2"	2.375"	24"	2"	S40W-22224	0.854
2 1/2"	2.875"	24"	3"	S40W-2502224	1.389
3"	3.5	24"	3.125"	S40W-32224	1.96
4"	4.5"	24"	3.375"	S40W-42224	3.15
5"	5.563"	24"	3.625"	S40W-522STD	4.095



INTEGRAL COUPLINGS AVAILABLE ON REQUEST

**RACEWAYS TECHNOLOGY
& MFG., INC.**
TACOMA, WA

22.5 DEGREE S/40 NSF PVC ELBOW 24" RADIUS

NO SCALE

RTP

2012