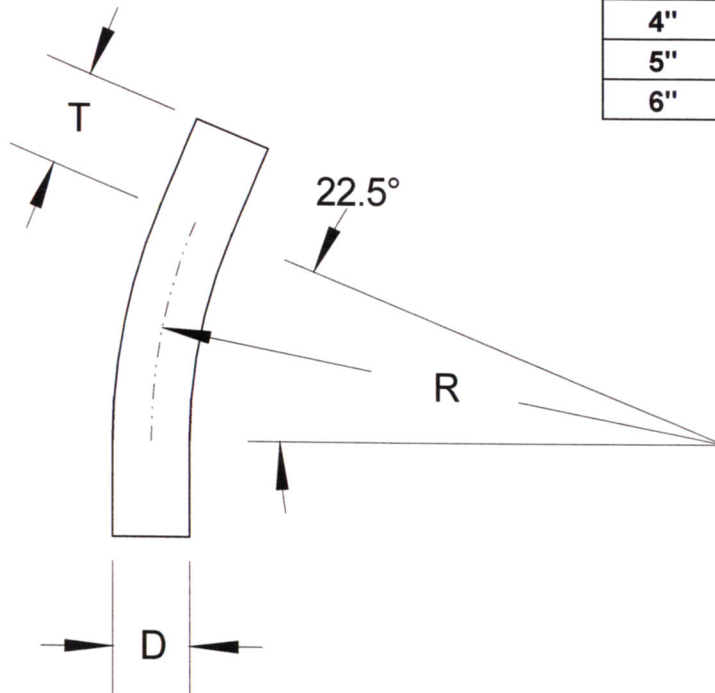


SIZE	DIAMETER "D"	RADIUS "R"	TANGENT "T" (MIN.)	PART NUMBER	WEIGHT (LBS.)
1/2"	.84"	36"	1.5"	S40W-052236	0.28
3/4"	1.05"	36"	1.5"	S40W-0752236	0.362
1"	1.315"	36"	1.875"	S40W-122236	0.543
1 1/4"	1.66"	36"	2"	S40W-1252236	0.724
1 1/2"	1.9"	36"	2"	S40W-1502236	0.853
2"	2.375"	36"	2"	S40W-222236	1.144
2 1/2"	2.875"	36"	3"	S40W-2502236	1.86
3"	3.5	36"	3.125"	S40W-322236	2.419
4"	4.5"	36"	3.375"	S40W-422236	3.456
5"	5.563"	36"	3.625"	S40W-522236	5.403
6"	6.625"	36"	3.75"	S40W-622236	7.283



INTEGRAL COUPLINGS AVAILABLE ON REQUEST

**RACEWAYS TECHNOLOGY  
& MFG., INC.**  
TACOMA, WA

22.5 DEGREE S/40 NSF PVC ELBOW 36" RADIUS

NO SCALE

RTP

2012