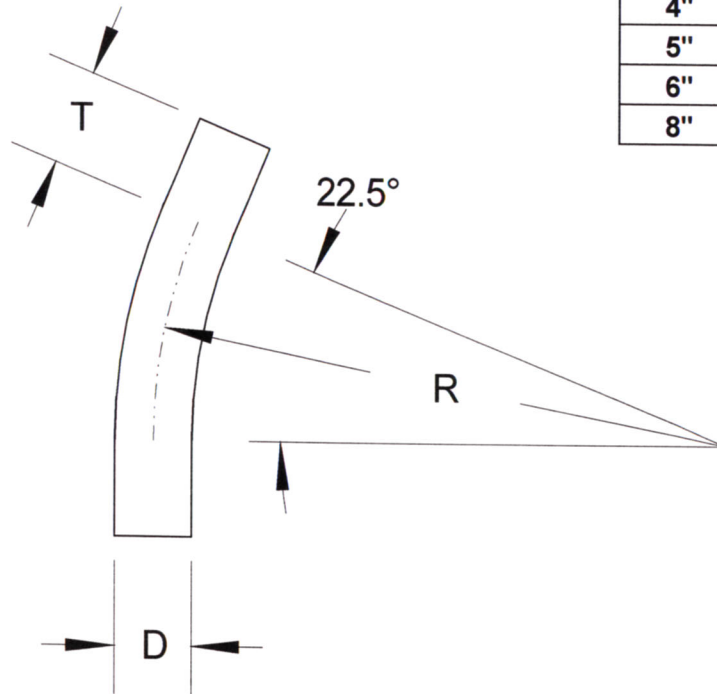


SIZE	DIAMETER "D"	RADIUS "R"	TANGENT "T" (MIN.)	PART NUMBER	WEIGHT (LBS.)
1/2"	.84"	60"	1.5"	S40W-052260	0.393
3/4"	1.05"	60"	1.5"	S40W-0752260	0.509
1"	1.315"	60"	1.875"	S40W-122260	0.763
1 1/4"	1.66"	60"	2"	S40W-1252260	1.018
1 1/2"	1.9"	60"	2"	S40W-1502260	1.198
2"	2.375"	60"	2"	S40W-222260	1.607
2 1/2"	2.875"	60"	3"	S40W-2502260	2.613
3"	3.5	60"	3.125"	S40W-322260	3.644
4"	4.5"	60"	3.375"	S40W-422260	5.206
5"	5.563"	60"	3.625"	S40W-522260	8.645
6"	6.625"	60"	3.75"	S40W-622260	11.653
8"	8.625"	60"	6.625"	S40W-822260	18.36



INTEGRAL COUPLINGS AVAILABLE ON REQUEST

**RACEWAYS TECHNOLOGY  
& MFG., INC.**

TACOMA, WA

22.5 DEGREE S/40 NSF PVC ELBOW 60" RADIUS

NO SCALE

RTP

2012