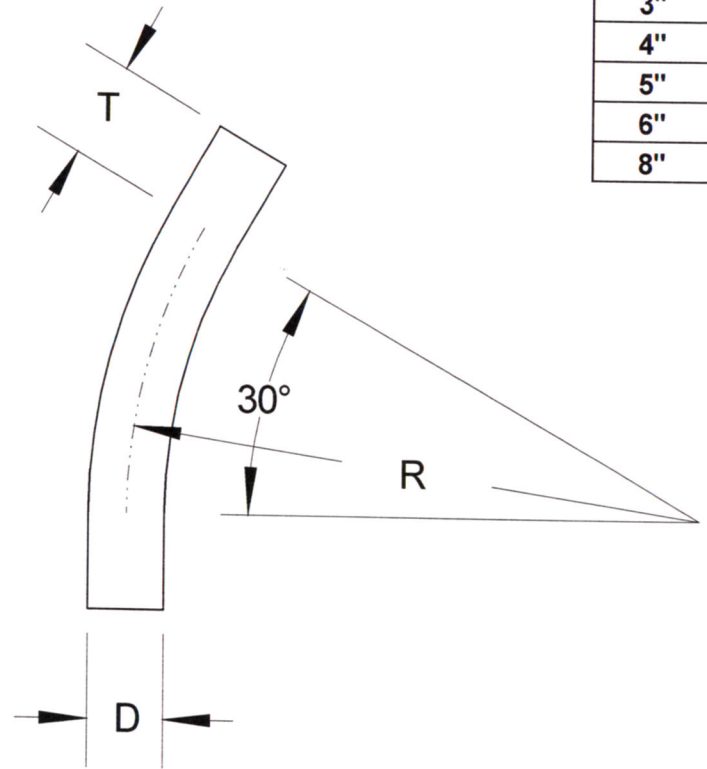


SIZE	DIAMETER "D"	RADIUS "R"	TANGENT "T" (MIN.)	PART NUMBER	WEIGHT (LBS.)
1/2"	.84"	72"	1.5"	S40W-053072	0.588
3/4"	1.05"	72"	1.5"	S40W-0753072	0.684
1"	1.315"	72"	1.875"	S40W-13072	1.064
1 1/4"	1.66"	72"	2"	S40W-1253072	0.296
1 1/2"	1.9"	72"	2"	S40W-1503072	1.634
2"	2.375"	72"	2"	S40W-23072	2.204
2 1/2"	2.875"	72"	3"	S40W-2503072	4.042
3"	3.5	72"	3.125"	S40W-33072	5.412
4"	4.5"	72"	3.375"	S40W-43072	8.05
5"	5.563"	72"	3.625"	S40W-53072	10.944
6"	6.625"	72"	3.75"	S40W-63072	15.35
8"	8.625"	72"	6.625"	S40W-83072	27.786



INTEGRAL COUPLINGS AVAILABLE ON REQUEST

<b>RACEWAYS TECHNOLOGY &amp; MFG., INC.</b>		
TACOMA, WA		
30 DEGREE S/40 NSF PVC ELBOW 72" RADIUS		
NO SCALE	RTP	2012