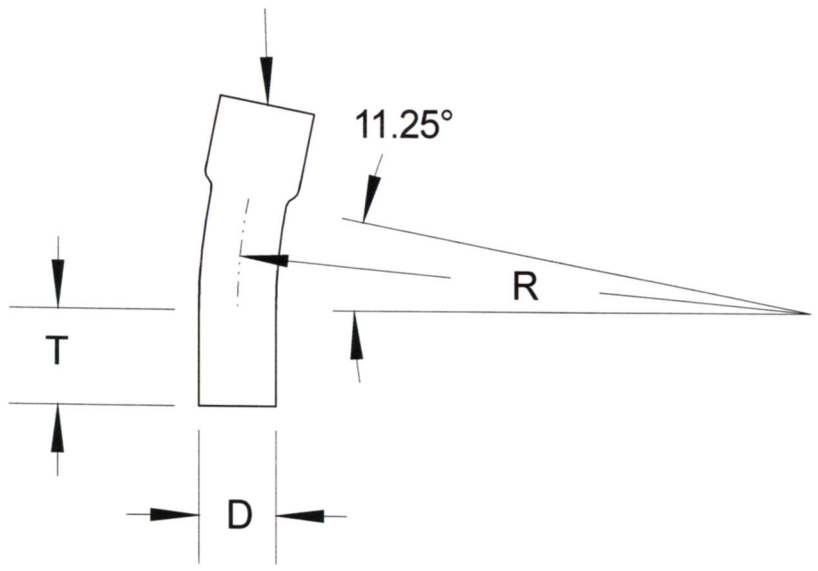


SIZE	DIAMETER "D"	RADIUS "R"	TANGENT "T" (MIN.)	PART NUMBER	WEIGHT (LBS.)
2"	2.375"	60"	2"	S40B-21160	0.897

INTEGRAL COUPLING



**RACEWAYS TECHNOLOGY  
& MFG., INC.**  
TACOMA, WA

11.25 DEGREE S/40 BUFF PVC ELBOW 60' RADIUS

NO SCALE	RTP	2012
----------	-----	------