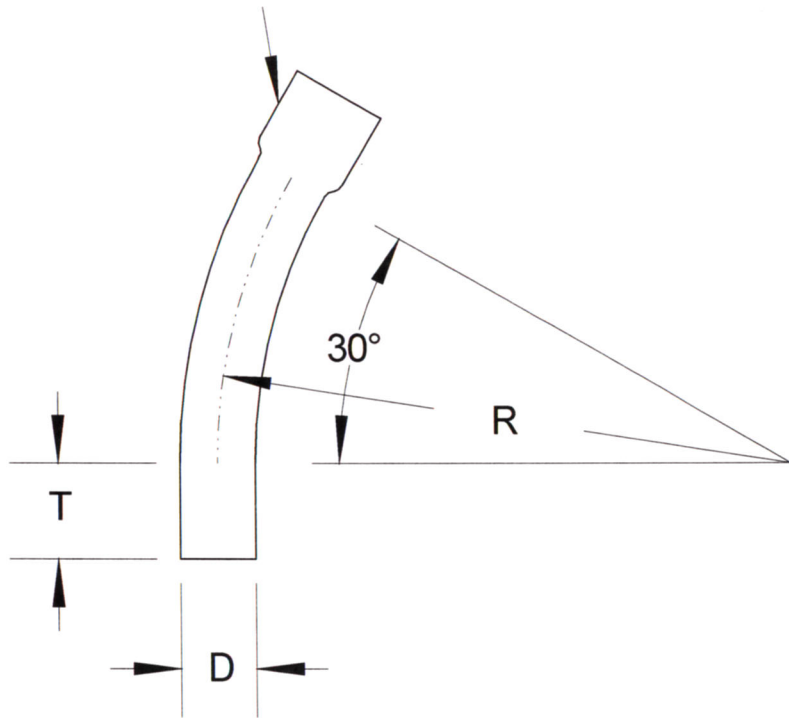


SIZE	DIAMETER "D"	RADIUS "R"	TANGENT "T" (MIN.)	PART NUMBER	WEIGHT (LBS.)
2"	2.375"	18"	2"	S40B-23018	0.73

INTEGRAL COUPLING



**RACEWAYS TECHNOLOGY  
& MFG., INC.**  
TACOMA, WA

30 DEGREE S/40 BUFF PVC ELBOW 18" RADIUS

NO SCALE	RTP	2012
----------	-----	------