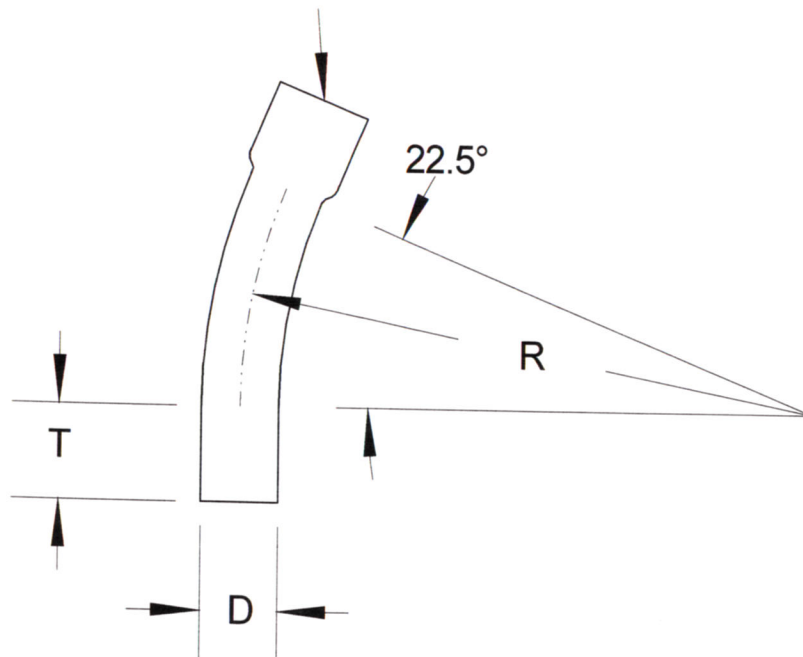


SIZE	DIAMETER "D"	RADIUS "R"	TANGENT "T" (MIN.)	PART NUMBER	WEIGHT (LBS.)
1 1/4"	1.66"	18"	2"	S80GS-1252218	0.45
1 1/2"	1.9"	18"	2"	S80GS-1502218	0.676
2"	2.375"	18"	2"	S80GS-22218	0.715
3"	3.5"	18"	3.125"	S80GS-32218	1.349
4"	4.5"	18"	3.375"	S80GS-42218	1.918

### INTEGRAL COUPLING



**RACEWAYS TECHNOLOGY  
& MFG., INC.**  
TACOMA, WA

22.5 DEGREE S40 GAS PVC ELBOW 18" RADIUS

NO SCALE

RTP

2012