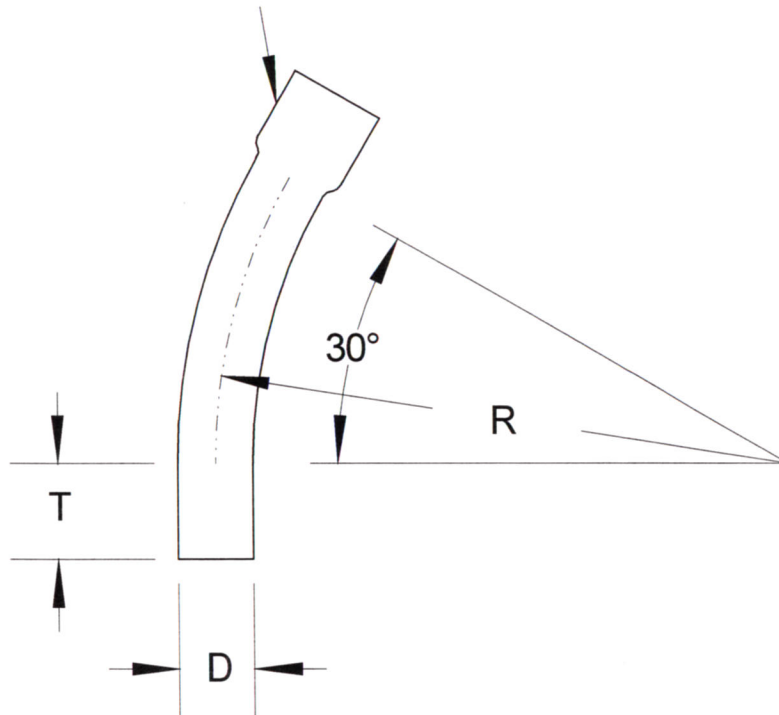


SIZE	DIAMETER "D"	RADIUS "R"	TANGENT "T" (MIN.)	PART NUMBER	WEIGHT (LBS.)
1 1/4"	1.66"	48"	2"	S40GS-1253048	0.882
1 1/2"	1.9"	48"	2"	S40GS-1503048	1.054
2"	2.375"	48"	2"	S40GS-23048	1.399
3"	3.5"	48"	3.125"	S40GS-33048	3.285
4"	4.5"	48"	3.375"	S40GS-43048	4.671

INTEGRAL COUPLING



**RACEWAYS TECHNOLOGY  
& MFG., INC.**  
TACOMA, WA

30 DEGREE S/40 GAS PVC ELBOW 48" RADIUS

NO SCALE	RTP	2012
----------	-----	------