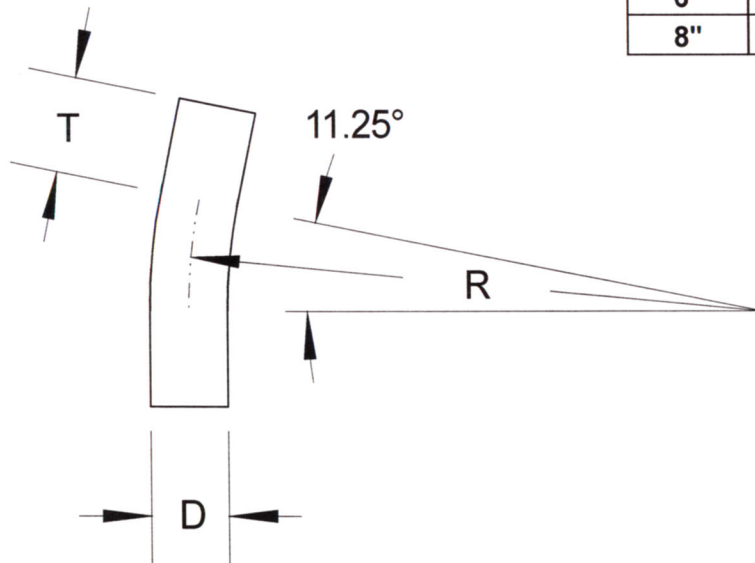


SIZE	DIAMETER "D"	RADIUS "R"	TANGENT "T" (MIN.)	PART NUMBER	WEIGHT (LBS.)
1/2"	0.84	4"	1.5"	S40W-0511STD	0.07
3/4"	1.05	4.5"	1.5"	S40W-07511STD	0.09
1"	1.315"	5.75"	1.875"	S40W-111STD	0.14
1 1/4"	1.66"	7.25"	2"	S40W-12511STD	0.212
1 1/2"	1.9"	8.25"	2"	S40W-15011STD	0.258
2"	2.375"	9.5"	2"	S40W-211STD	0.377
2 1/2"	2.875"	10.5"	3"	S40W-25011STD	0.658
3"	3.5	13"	3.125"	S40W-311STD	1.107
4"	4.5"	16"	3.375"	S40W-411STD	2.056
5"	5.563"	24"	3.625"	S40W-511STD	2.964
6"	6.625"	30"	3.75"	S40W-611STD	4.912
8"	8.625"	44"	6.625"	S40W-811STD	12.852



**RACEWAYS TECHNOLOGY
& MFG., INC.**
TACOMA, WA

11.25 DEGREE S/40 NSF PVC ELBOW STD RADIUS

NO SCALE

RTP

2012

INTEGRAL COUPLINGS AVAILABLE ON REQUEST