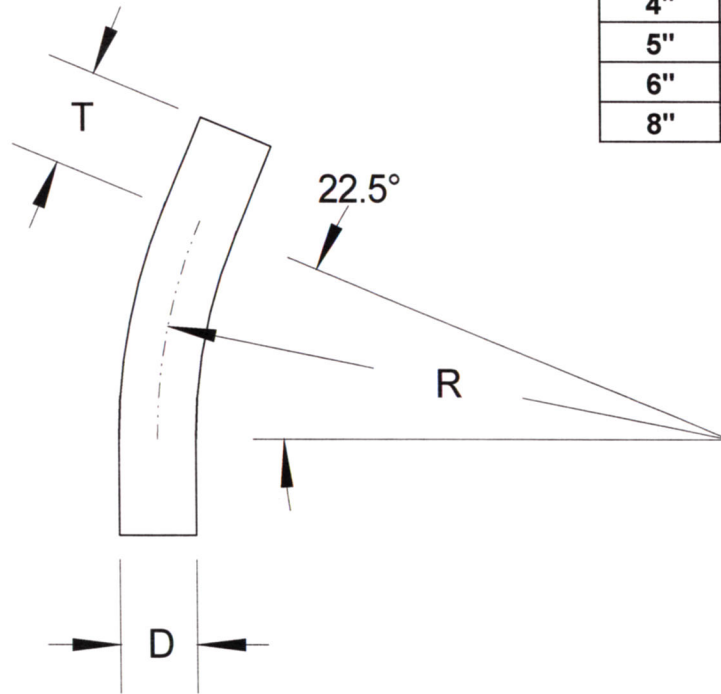


SIZE	DIAMETER "D"	RADIUS "R"	TANGENT "T" (MIN.)	PART NUMBER	WEIGHT (LBS.)
1/2"	0.84	4"	1.5"	S40W-0522STD	0.077
3/4"	1.05	4.5"	1.5"	S40W-07522STD	0.099
1"	1.315"	5.75"	1.875"	S40W-122STD	0.168
1 1/4"	1.66"	7.25"	2"	S40W-12522STD	0.24
1 1/2"	1.9"	8.25"	2"	S40W-15022STD	0.302
2"	2.375"	9.5"	2"	S40W-222STD	0.488
2 1/2"	2.875"	10.5"	3"	S40W-25022STD	0.848
3"	3.5	13"	3.125"	S40W-322STD	1.47
4"	4.5"	16"	3.375"	S40W-422STD	2.45
5"	5.563"	24"	3.625"	S40W-522STD	4.095
6"	6.625"	30"	3.75"	S40W-622STD	6.44
8"	8.625"	44"	6.625"	S40W-822STD	15.606



INTEGRAL COUPLINGS AVAILABLE ON REQUEST

**RACEWAYS TECHNOLOGY
& MFG., INC.**
TACOMA, WA

22.5 DEGREE S/40 NSF PVC ELBOW STD RADIUS

NO SCALE

RTP

2012